

THE

# PROPAGATOR

The Monthly Newsletter of the South Orange Amateur Radio Association

February 2013

## IN THIS ISSUE

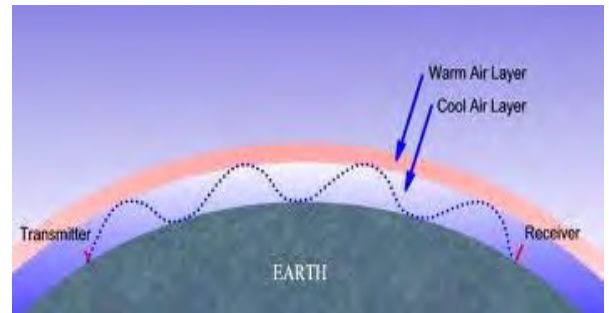
Tropo Ducting	1
From the VP	1
Saturdays	2
Raffle Report	2
T-Hunt News	3
Membership	3
The HF Page	4
Little Joe	
Transmitter	4
Propagation	4
Calendar	5

## Tropospheric Ducting

Our next speaker is a SOARA member and ordinarily I would write up a long biography for him, but I think most of you know who he is and a little about his feats of derring-do over the years. Not to mention the glowing pickles, smoking radios, and other funny stuff...

Let me just mention that the subject will be tropospheric ducting and should be very interesting.

Heiko  
AD6OI



Tropospheric Ducting Illustration

## Meeting

Feb 25th,  
2013

7:00 PM  
N.P.  
Murray  
Center  
Veterans  
Way  
Mission Viejo

## From the V.P.

Looking forward we have Arnie Schatz N6HC coming next month to talk about his last DX expedition.

Between now and the March meeting the board of directors is accepting candidates for the directors' positions. At this time it seems that most of our current directors will be standing for re-election, but we are looking for a candidate for the position of Communications director. The way the process works is that the board will present a slate of candidates at the March general meeting and ask for additional candidates from the floor. At this time any member can be nominated or nominate themselves for any position up for election.

It is not too early to think about Field Day, June 22-23. We are looking for volunteers to coordinate the different aspects of the event.

## From the Ambassador:

I have noticed that over the past year our communicating on our repeaters has really been reduced, please feel free to use any and all the repeaters that we have available to us. If you have questions about them please call me or send me a note and I will be glad to help with whatever is necessary. The frequencies and PL tones are available on our web site which is SOARA.org. We can also be found on Facebook under SOARA. the site is maintained by a group of us and is usually current.

Heiko [ad6oi@soara.org](mailto:ad6oi@soara.org)



**SOARA  
Saturdays**  
Mar 2

**ARRL DX  
Contest, SSB**  
May 2-3

**Dayton  
Hamvention**  
May 17-19

**Memorial Day  
1/2 Marathon**  
May 27

**ARRL Field Day**  
Jun 22-23

## VEC License Exams

Next session:  
(6:00pm), be-  
fore the General  
Meeting  
Contact Sean  
[AJ6B](mailto:AJ6B) for info.

Walk-ins ok.

Extra | General |  
Technician  
Exams

## SOARA Saturdays - Digital VHF/UHF Modes

Please join us on March 2 as we continue our demonstrations on digital radio. This time the topic will be Digital Modes in VHF/UHF, which include Packet, APRS, Winlink, IRLP, Allstar & DStar, etc.



Sean, AJ6B, demonstrates digital HF modes at the last Saturday event. Thank you to all who attended, it was a very informative session!

## SOARA Raffle Report

Hal Silverman

The raffle held January 20, 2013 yielded \$299. \$195 was in the \$5 raffle and the balance of \$104 for the \$1 raffle.

The \$5 raffle prize was a FT60-R dual band VHF/UHF. We were fortunate to get them on sale at HRO. Each radio was about \$150 each.

The \$5 raffle went to KA6ICO. For the February raffle we will have another FT60-R.

The \$1 raffle until to be a mix of Harbor Freight and HRO. I will look for bargains at both Harbor Freight and HRO. We also seem to get some donations from members.

If there are any comments or suggestions for either the \$1 prizes or a future \$5 prize, please contact me at [WB6WXO@SOARA.org](mailto:WB6WXO@SOARA.org).



Pierrette, K6PTR, Heiko, AD6OI, Mike, K6MSM, & Sean, AJ6B helping out on the Paws Fur Pink 5k.



### From Membership

Welcome to our newest SOARA members:

**Ted Baba, AG6GA**, an amateur extra from Foothill Ranch

**Hal Crum, KD6TIO**, an general from Mission Viejo

**Bob Dietrich, KN6BOB**, a general from Laguna Beach

**Joe Hernandez, KK6BMK**, a technician from Rancho Santa Margarita

**Frank Kromann, AG6QV**, an amateur extra from Trabuco Canyon

Total membership is 233 but we still need to encourage 70 of our members to pay their dues for this year.

Horst Zitzmann, KD7JHR

Marie Zitzmann, KD7JHS

Membership  
Directors  
SOARA

## SOARA T-Hunt

Gray, WA6BJY, hid the transmitter this month on February 10, which was the re-scheduled day, due to the NFL not re-scheduling the Super Bowl to accommodate us. A high power transmission was needed to get the hunters on track as Gray made sure to only feed the 4 element beam the lowest of possible power. (50mw?) He also took advantage of hills between San Clemente and San Juan Capistrano to further confuse the hunters.

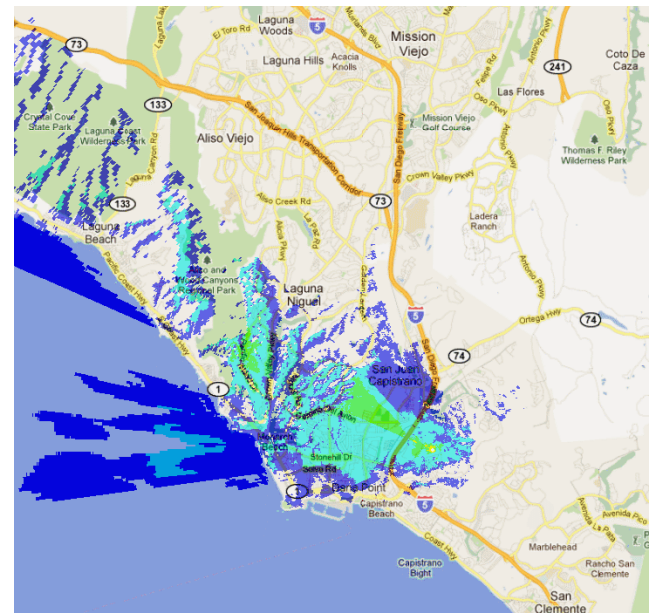


Sean, AJ6B and Mike, K6MSM decided to relive their scouting days, but parking on the San Juan side and taking on the hills by foot (my that hill was steep). Richard, K6RBS and Mike, NM6X, knew that it wasn't likely that a lot of hiking would be needed, so they stayed in their vehicle as long as possible.



However, the persistence of Sean and Mike paid off and they were able to reach the transmitter first, which as it turned out was barely 20' from a nice residential road. Still, it was a great workout that day and as you can see, we were rewarded with some splendid views. Thanks, Gray!

Please join us next month, on March 3, when Sean and Mike will be hiding the T.





## Propagation de K7RA

Average daily sunspot numbers over the past seven days, February 14-20, rose modestly by 27 points to 78.3. Average daily solar flux was up marginally, only 1.6 points to 105.6. Geomagnetic indices rose also, with the planetary A index from 5.6 to 6.4, and the middle latitude A index from 5.1 to 6. This is compared to the previous seven days, February 7-13 reported in last week's bulletin.

There was a more substantial rise in both solar flux and sunspot numbers for a recent three days, at 104.7, 112.4 and 113.5 for solar flux, and 92, 117 and 106 for sunspot numbers. But that turned around when the sunspot number dropped from 106 to 75 on Thursday, February 21 and solar flux declined from 113.5 to 108.5.

<http://www.arrl.org/w1aw-bulletins-archive/>

## The HF Page CQ DX CQ DX...

### Selected Contests/Events

- CQ 160m, SSB (Feb 23-24)
- REF Contest, SSB (Feb 23-24)
- MS QSO Party (Feb 23-24)
- N. Am. QSO Party, RTTY (Feb 23-24)
- UBA DX Contest, CW (Feb 23-24)
- NC QSO Party (Feb. 24-25)
- ARRL DX Contest, SSB (Mar 2-3)
- DARC 10m Digital (Mar 3)
- ID QSO Party (Mar 9-10)
- WI QSO Party (Mar 10-11)
- [DXpeditions](#)
- [NOAA - Space Weather](#)

### Little Joe Transmitter

Hal Silverman

Revisited from Oct 2010

January 31, 2013

Several years ago when we had the workshop, we bread boarded a 1.5 Watt CW 80M transmitter. The rest of the story goes like this. I was recently at ARRL and spoke to both Bob Allison and Zack Lau. Zack turned me on to a circuit board house Far Circuits.

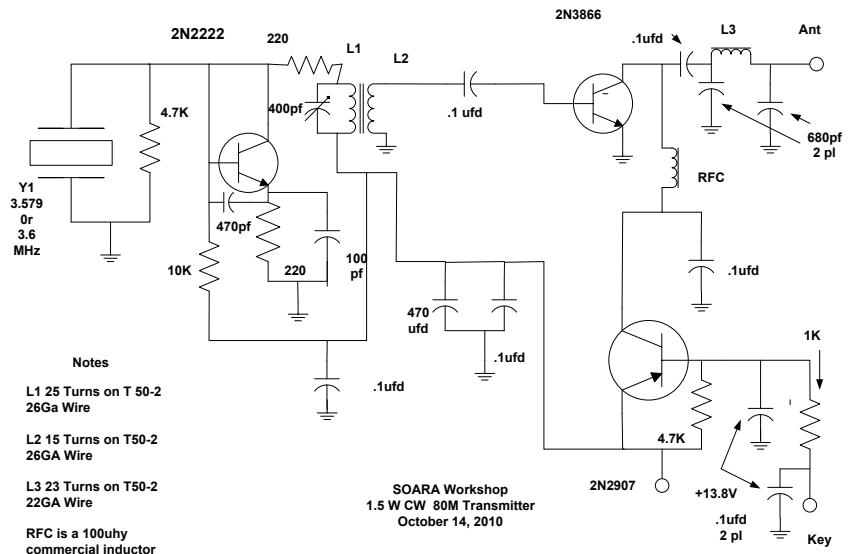
Fred has about 200 printed circuit boards from ARRL, CQ and 73 that he will sell for a nominal amount. He also does small quantities. He usually ships as soon as the PayPal credit the money into Fred's account. I have 6 Little Joe circuit boards coming.

If there is anybody that wants a board, let me know. If you still have the parts from the workshop that should be able to populate the circuit. If you are missing parts let me know and I will be glad to help with missing parts.

ARRL also has many articles from past QST. The Fred's number is 847-836-9148. His E Mail address is [mail@farcircuits.net](mailto:mail@farcircuits.net) and his website is <http://www.farcircuits.net>. The web site has the list of circuits. He also has a DVD that has lots of stuff on it. It costs \$5.00. I am going to order one of his DVDs.

I have included the schematic for the transmitter. If you want to build one, let me know and I will provide you with an 8" x 11".

If have any questions, e-mail me at [WB6WXO@SOARA.org](mailto:WB6WXO@SOARA.org). This is a good way to get your feet wet going to a home brew project.



Year 2013	Jan.	Feb.	Mar.	Apr.	May	Jun.	Jul.	Aug.	Sept.	Oct.	Nov.	Dec.
General Meeting 7:00 PM	28	25	18	15	20	17	15	19	16	21	18	—
Program	Digital Radio	Tropo Ducting	DX Pedition		Spring Auction	Field Day Prep		SOARA Fair			Fall Auction	—
VEC Testing	28	25	18	15	20	Field Day	15	19	16	21	18	—
SOARA Saturdays (9am)	Feb 2	Mar 2	23	20	25	—	20	24	21	26	23	—
SOARA T-Hunt	6	10	3	7	5	2	7	4	1	6	3	1
Board Meeting	Feb 4	Mar 4	25	22	Jun 3	24	22	26	23	28	25	—
Special Events		Yuma 15-16			Dayton	Field Day		Picnic				Holiday Party 1
ARRL Field Day						22-23						
SOARA Picnic								4				
Holiday Party												1

**SOARA** meets at the Mission Viejo Community Center, 26932 Veterans Way, Mission Viejo, the third Monday of every month at 7:00 PM. For the months of January and February the third Monday is a holiday and the meeting is held on the fourth Monday.

**License Exams:** Amateur License Exams are given prior to SOARA meetings. **Exams are at 6pm.** Prior registration is not required and walk-in applicants are welcome. For further information, email Sean Reigle, AJ6B, at [aj6b@soara.org](mailto:aj6b@soara.org).

#### SOARA Library:

SOARA has many amateur radio related books such as hand books, books about electrical theory, etc. available to lend out to club members. Contact Heiko Peschel [ad6oi@soara.org](mailto:ad6oi@soara.org) for more info.

**Web Site:** SOARA maintains a web site with current club information. The URL is: <http://www.soara.org/>

**Repeaters:** The Laguna Beach, San Clemente, and Trabuco repeaters are open. The Santiago Peak repeaters are closed. For details or questions on the repeaters contact the Repeater director, KG6GI.

	2m	—	147.645	—	(110.9)	Laguna Beach
	2m	—	146.025	+	(110.9)	San Clemente
	2m	—	145.240	—	(110.9)	Trabuco
D-Star	2m	—	146.115	+	(K6SOA C)	Laguna Beach
	220	—	224.100	—	(110.9)	Laguna Beach
	220	—	224.640	—	(123.0)	Santiago Peak. (C)
D-Star	440	—	445.660	—	(K6SOA B)	Laguna Beach
	440	—	447.180	—	(131.8)	Santiago Peak. (C)
D-Star	1.2G	—	1282.600	—	(K6SOA A)	Laguna Beach

**Nets:** UHF/VHF (447.180, 147.645 & 224.640): Tuesdays 8:00 PM  
D-Star (146.115 C module): Wednesdays 8:00pm  
40 meter HF (7.200 MHz +/- for QRM), Sundays 8:00 AM.  
Gordo Net (HF 7.250 MHz +/- for QRM), Weekdays 8:30AM

#### SOARA OFFICERS

**President:** Tom Hobbs, AE6SH ..... 949-830-8131  
[ae6sh@soara.org](mailto:ae6sh@soara.org)  
**V.P.** Heiko Peschel, AD6OI ..... 949-859-3868  
[ad6oi@soara.org](mailto:ad6oi@soara.org)  
**Secretary:** Rick Edgmon, NU6D ..... 949-495-2979  
[nu6d@soara.org](mailto:nu6d@soara.org)  
**Treasurer:** Tom Parkes, KI6DDB ..... 714-224-2982  
[ki6ddb@soara.org](mailto:ki6ddb@soara.org)

#### SOARA DIRECTORS

**Repeater:** Howard Brown, KG6GI ..... 949-581-2634  
[kg6gi@soara.org](mailto:kg6gi@soara.org)  
**Publications:** Mike Mahan, K6MSM ..... 949-279-9936  
[k6msm@soara.org](mailto:k6msm@soara.org)  
**Membership:** Horst, KD7JHR & Marie, KD7JHS  
Zitzmann ..... 949-768-8552  
[kd7jhr@soara.org](mailto:kd7jhr@soara.org) or [kd7jhs@soara.org](mailto:kd7jhs@soara.org)  
**Education:** Sean Reigle, AJ6B ..... 714-261-1717  
[aj6b@soara.org](mailto:aj6b@soara.org)  
**Technical:** Brian Roode, NJ6N ..... 949-495-5336  
[nj6n@soara.org](mailto:nj6n@soara.org)  
**Communications:** Mikkel Hansen, NR6E. .... 949-632-5573  
[nr6e@soara.org](mailto:nr6e@soara.org)

#### SOARA COMMITTEES

**Activities:** Pierrette Rizco, K6PTR ..... 949-235-2546  
[k6ptr@soara.org](mailto:k6ptr@soara.org)  
**Testing:** Sean Reigle, AJ6B ..... 714-261-1717  
[aj6b@soara.org](mailto:aj6b@soara.org)  
**Website:** Brian Roode, NJ6N ..... 949-495-5336  
[nj6n@soara.org](mailto:nj6n@soara.org)  
**Ambassador:** Heiko Peschel, AD6OI ..... 949-859-3868  
[ad6oi@soara.org](mailto:ad6oi@soara.org)